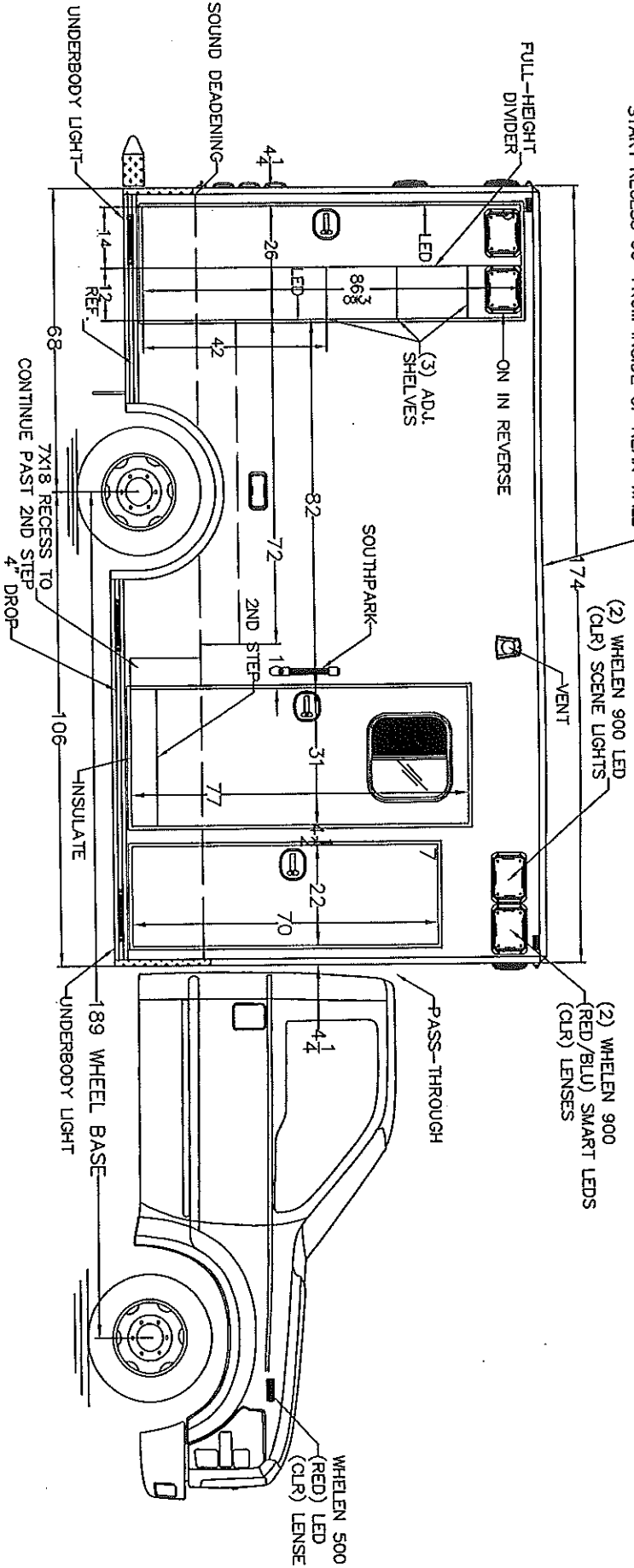


NOTE: 20 1/2" L x 5 1/2" W FRAME-OUT IN 2x2'S CENTERED IN ROOF SIDE-TO-SIDE  
START RECESS 60" FROM INSIDE OF REAR WALL

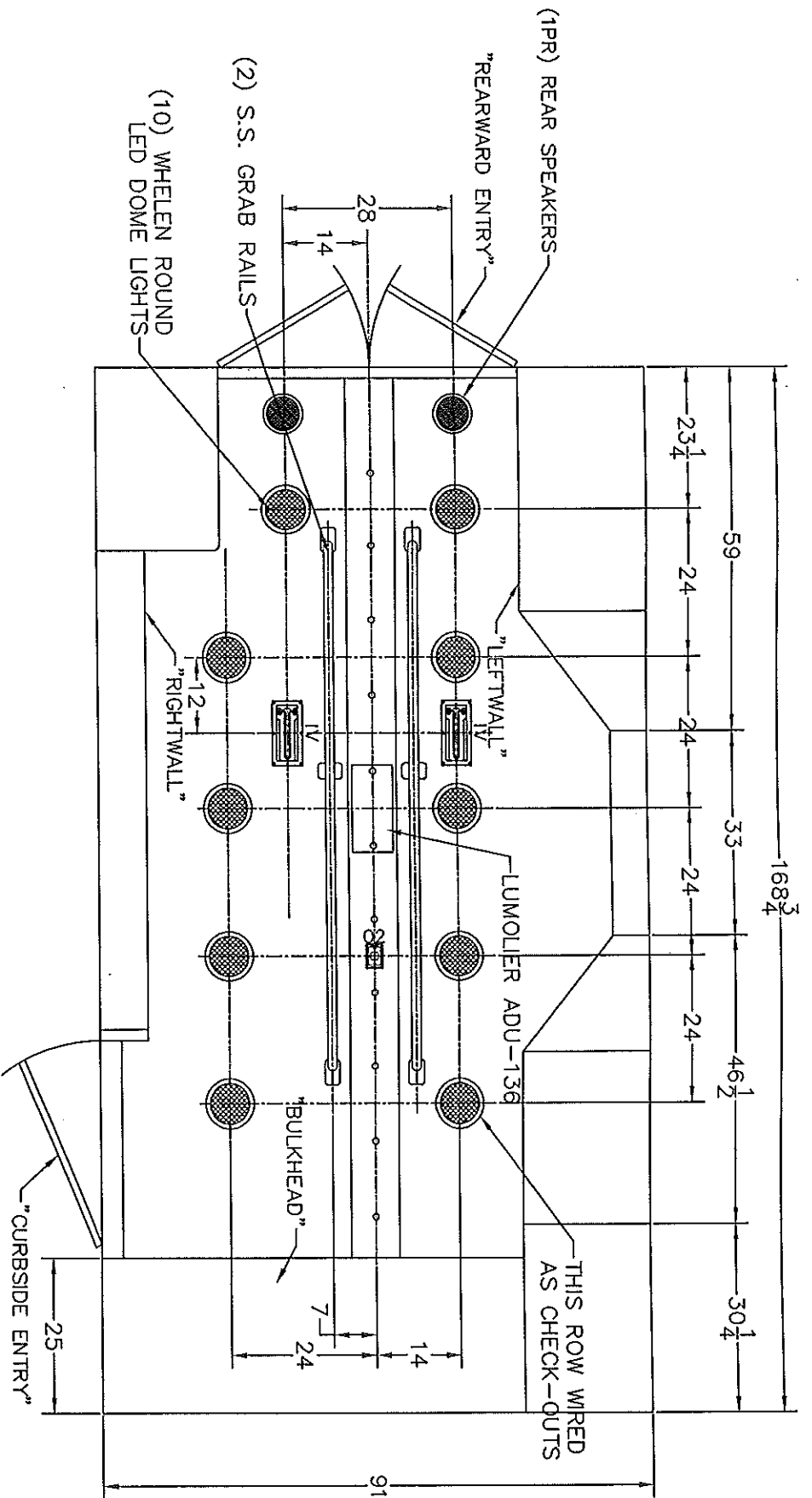


NOTES: THIS DRAWING IS NOT TO SCALE.  
CHARACTERISTICS AND DIMENSIONS OF FINISHED PRODUCT MAY VARY.

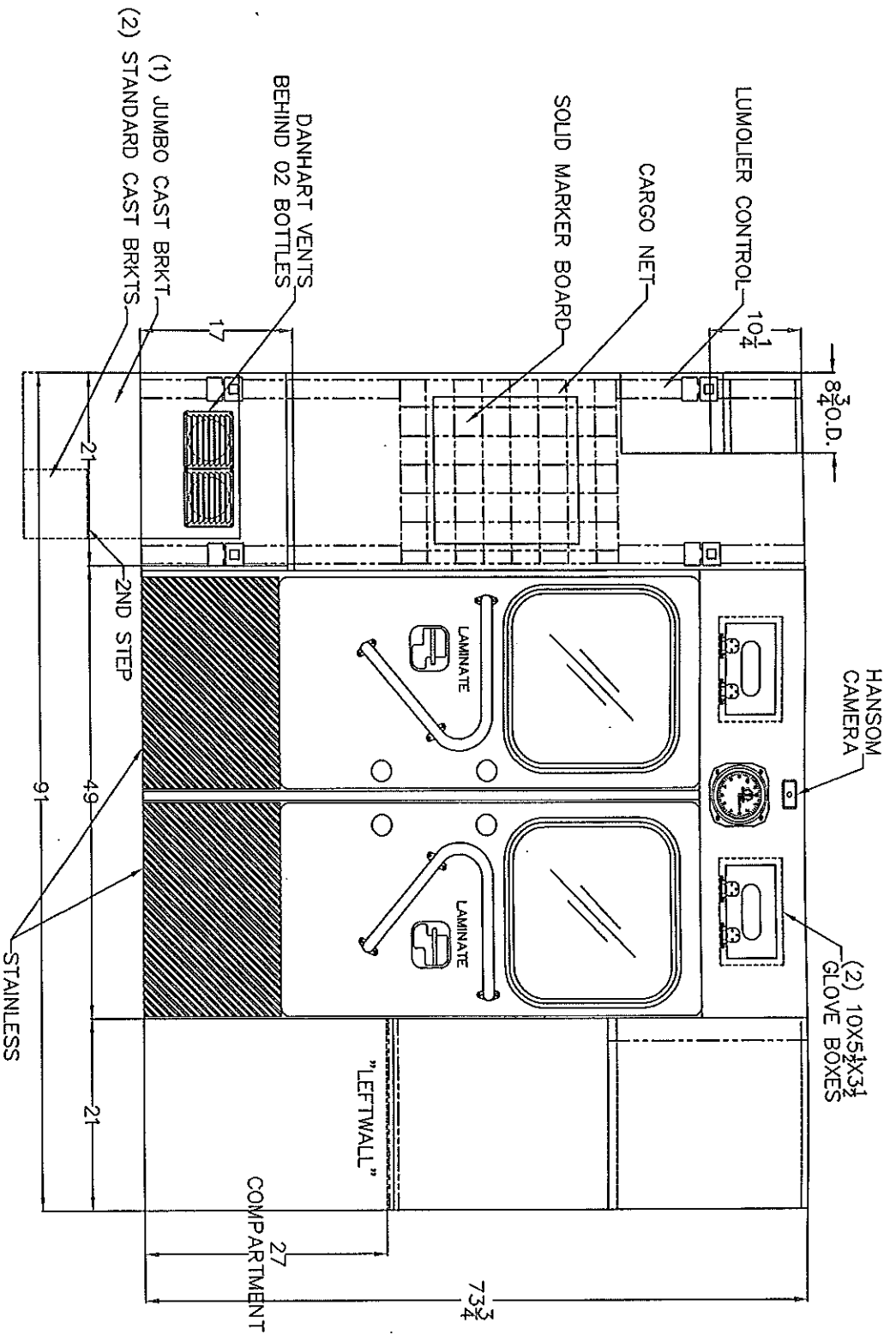
NOTES:

- 1.) COMPARTMENT DIMENSIONS REFLECT OPENING CLEARANCE.
- 2.) APPROXIMATE COMPARTMENT DEPTH=20 1/2" DEEP.
- 3.) MODULE DIMENSIONS=174"L x 96"W x 95"H
- 4.) INTERIOR MODULE HEAD ROOM=74"H.
- 5.) ALL 9x7 LIGHTS TO BE WHELEN 900 SERIES LIGHTS, CHROME FLANGES.
- 6.) DOUBLE STAINLESS THRESHOLDS.
- 7.) STYROFOAM INSULATION, WALL & CEILING.
- 8.) 3M SOUND DEADENING.
- 9.) DRY-DECK, ALL COMPARTMENTS.
- 10.) S.S. KICKPLATES.

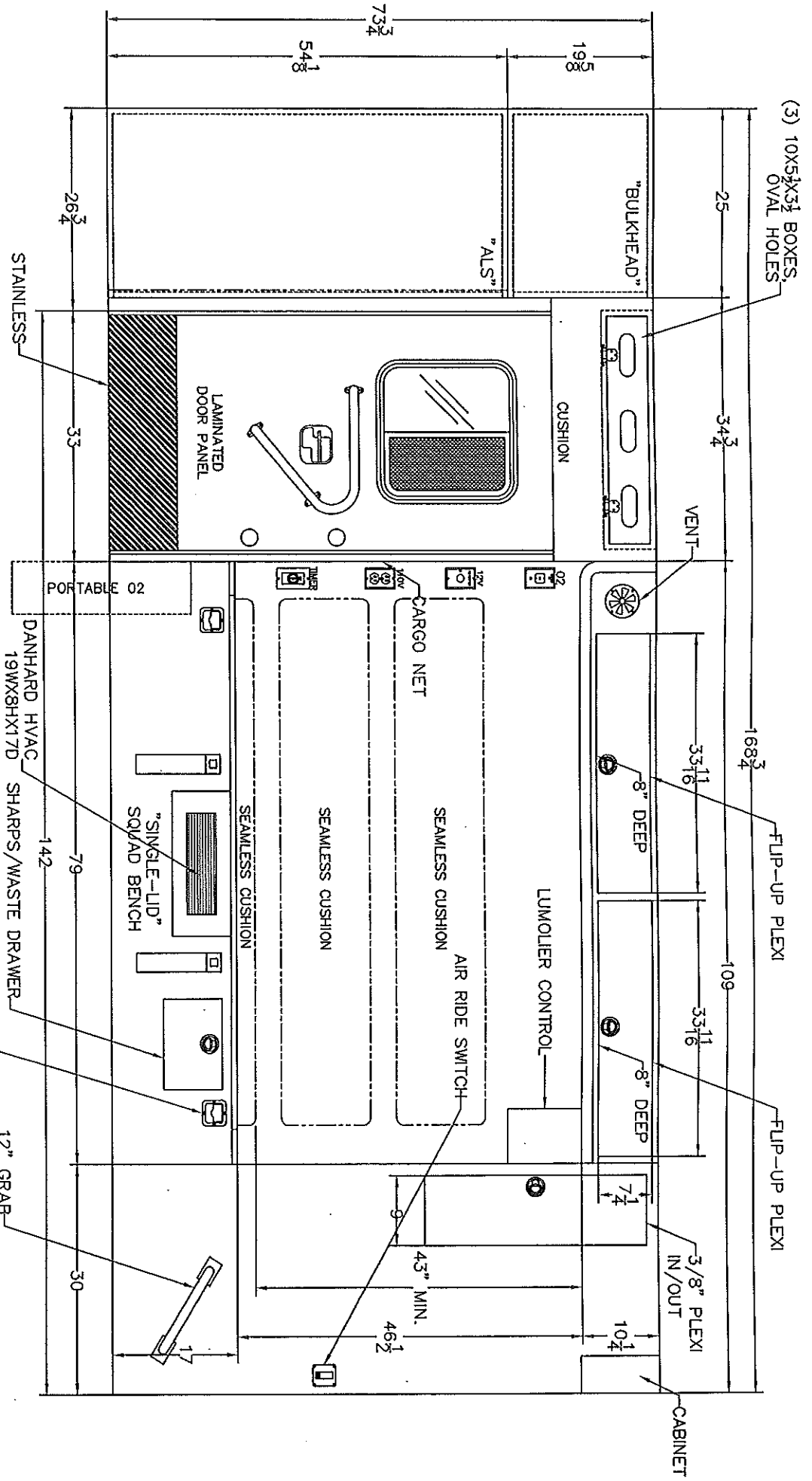




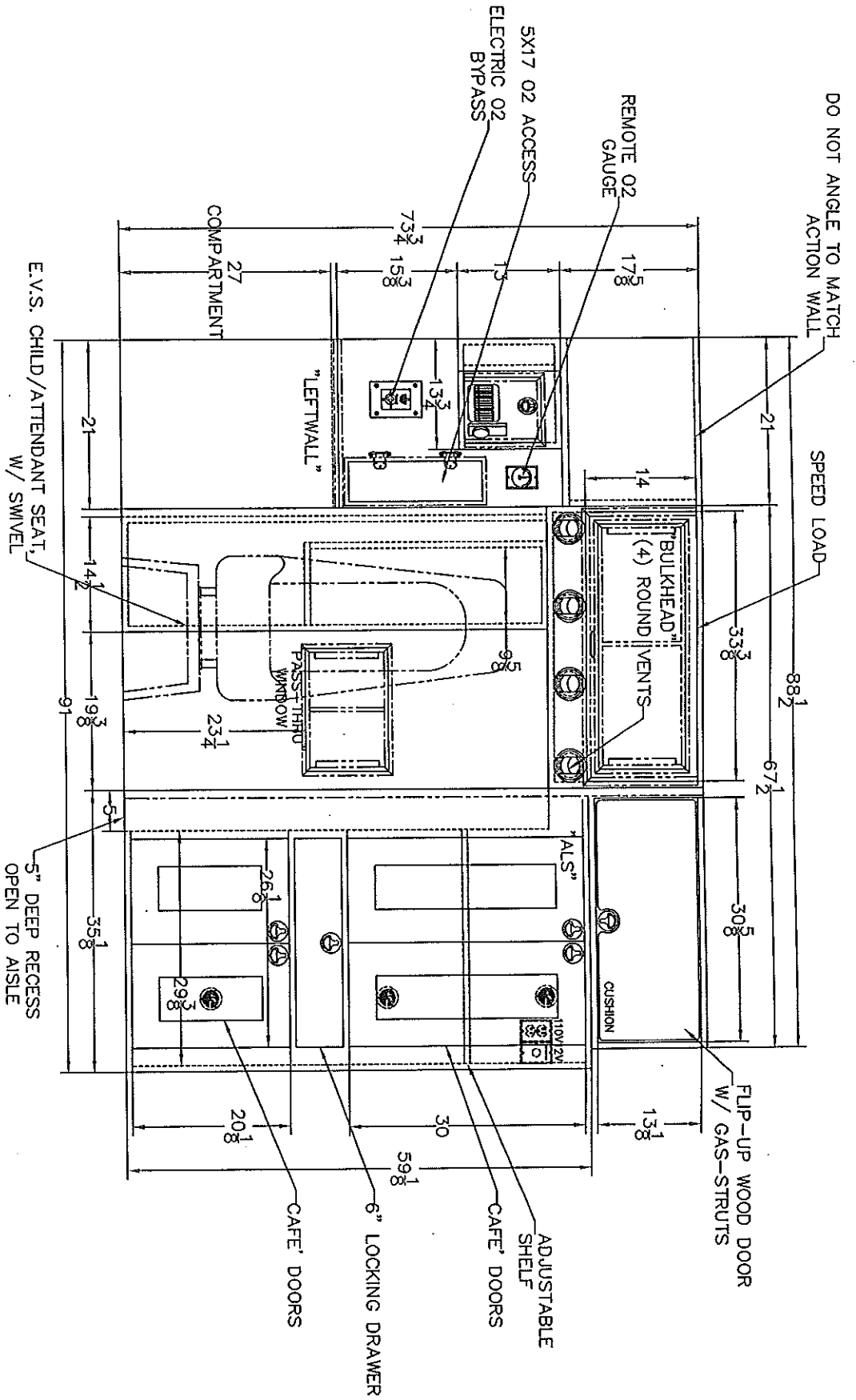
NOTES: THIS DRAWING IS NOT TO SCALE.  
 CHARACTERISTICS AND DIMENSIONS OF FINISHED  
 PRODUCT MAY VARY.



NOTES: THIS DRAWING IS NOT TO SCALE.  
 CHARACTERISTICS AND DIMENSIONS OF FINISHED PRODUCT MAY VARY.  
 NOTES: CABINET DEPTHS REPRESENT DIMENSION FROM  
 INSIDE REAR TO FRONT FACE OF CABINETS, WITHOUT TRIM.  
 ACTUAL WORKING DEPTH WILL BE LESS THAN DIMENSION  
 SHOWN UNLESS OTHERWISE SPECIFIED.

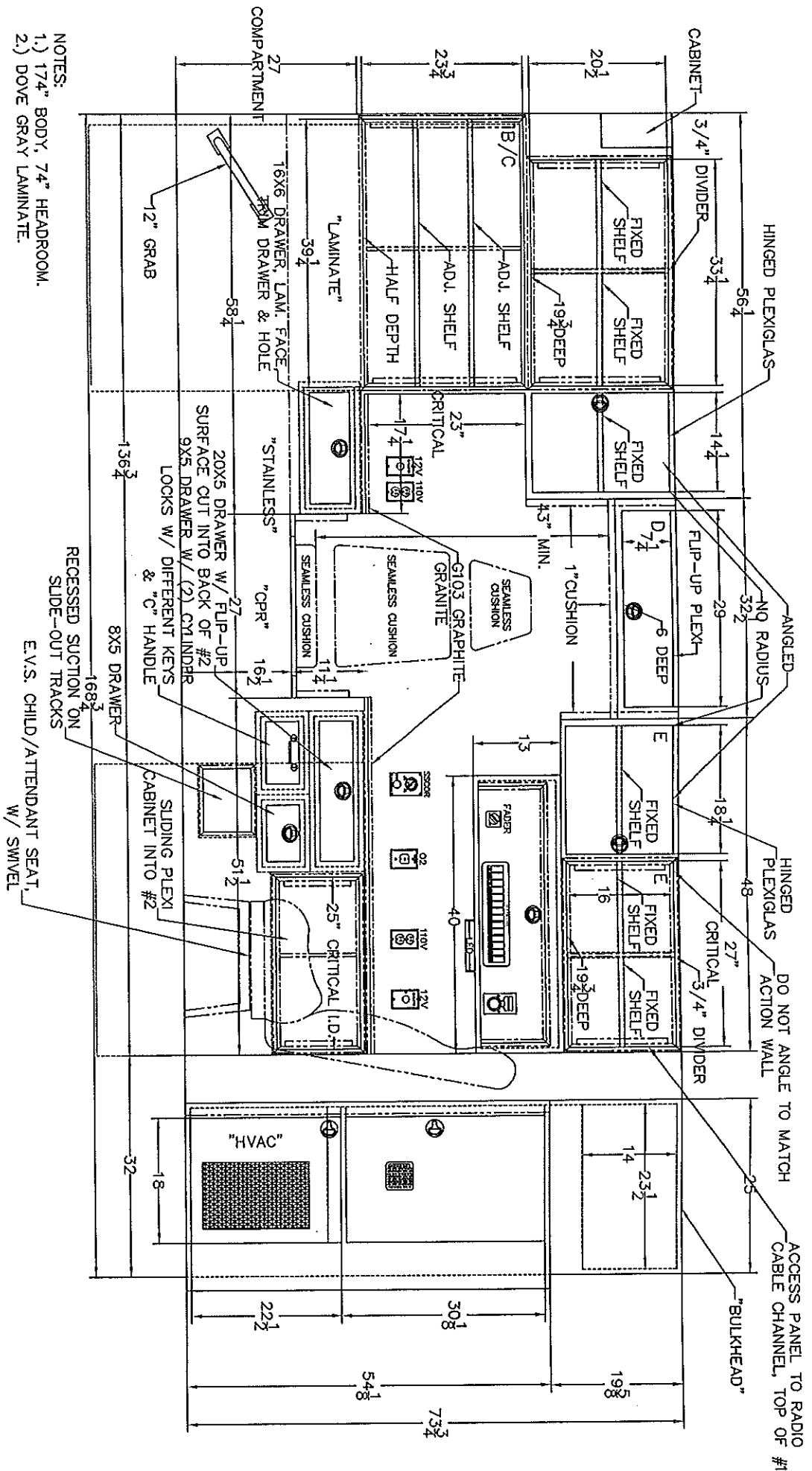


NOTES: THIS DRAWING IS NOT TO SCALE.  
 CHARACTERISTICS AND DIMENSIONS OF FINISHED PRODUCT MAY VARY.  
 NOTES: CABINET DEPTHS REPRESENT DIMENSION FROM INSIDE REAR TO FRONT FACE OF CABINETS, WITHOUT TRIM. ACTUAL WORKING DEPTH WILL BE LESS THAN DIMENSION SHOWN UNLESS OTHERWISE SPECIFIED.



NOTES: THIS DRAWING IS NOT TO SCALE. CHARACTERISTICS AND DIMENSIONS OF FINISHED PRODUCT MAY VARY.

NOTES: CABINET DEPTHS REPRESENTS DIMENSION FROM INSIDE REAR TO FRONT FACE OF CABINETS, WITHOUT TRIM. ACTUAL WORKING DEPTH WILL BE LESS THAN DIMENSION SHOWN UNLESS OTHERWISE SPECIFIED.

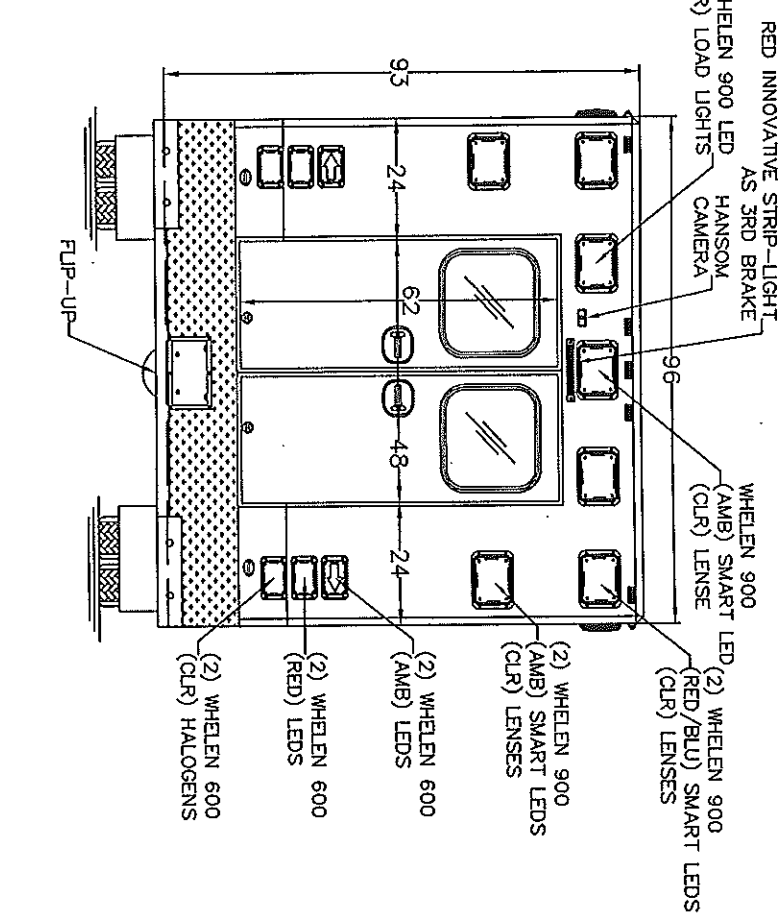
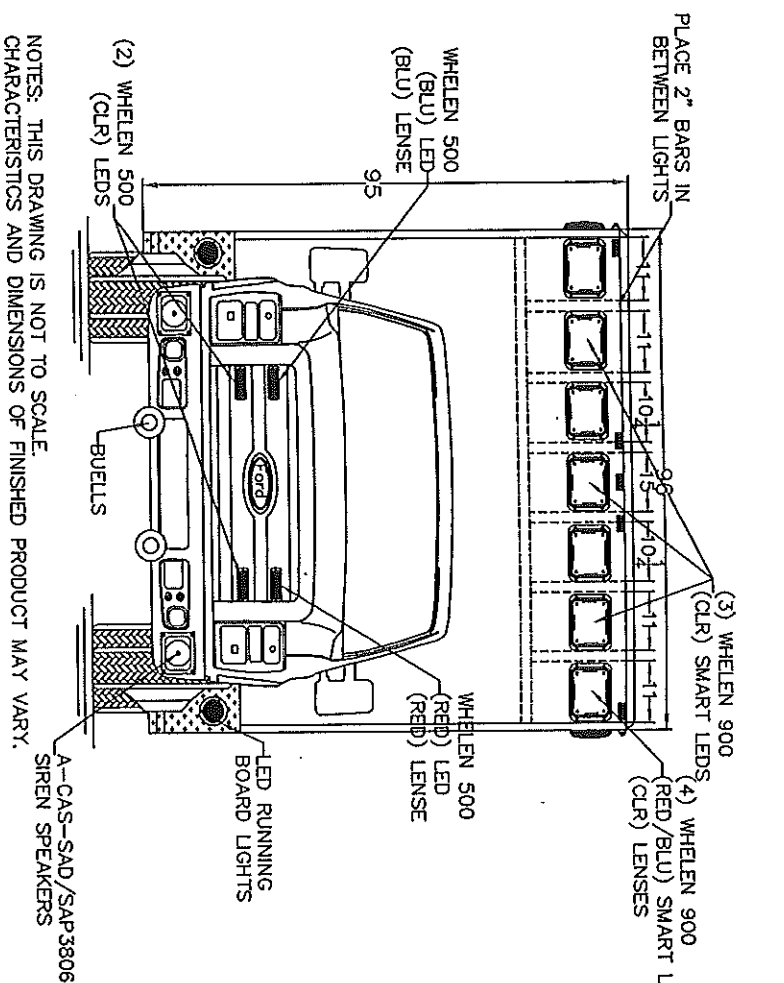


- NOTES:
- 1.) 17 1/4" BODY, 7 1/4" HEADROOM.
  - 2.) DOVE GRAY LAMINATE.

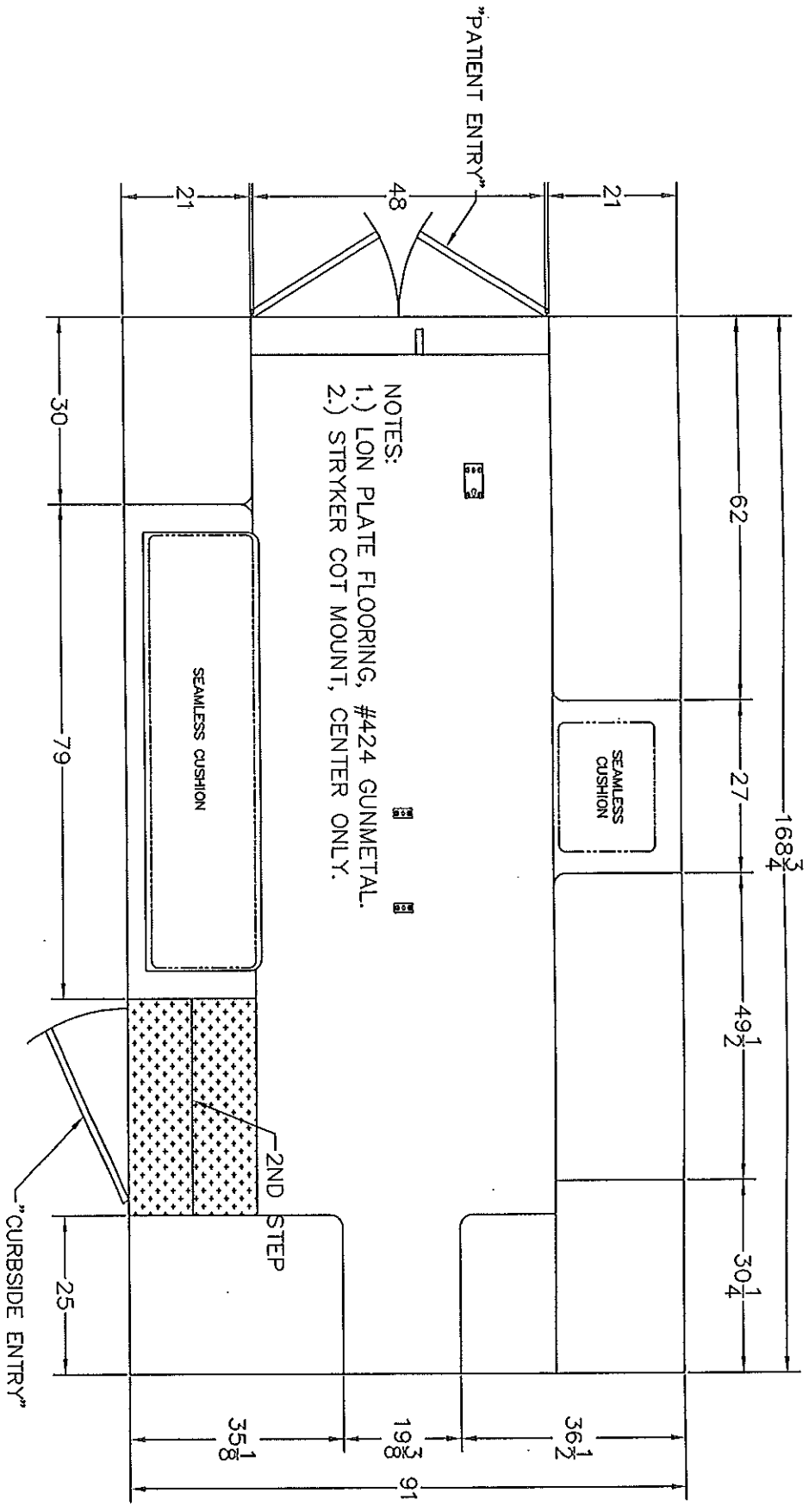
NOTES: THIS DRAWING IS NOT TO SCALE.  
 CHARACTERISTICS AND DIMENSIONS OF FINISHED PRODUCT MAY VARY.  
 NOTES: CABINET DEPTHS REPRESENT DIMENSION FROM INSIDE REAR TO FRONT FACE OF CABINETS, WITHOUT TRIM. ACTUAL WORKING DEPTH WILL BE LESS THAN DIMENSION SHOWN UNLESS OTHERWISE SPECIFIED.



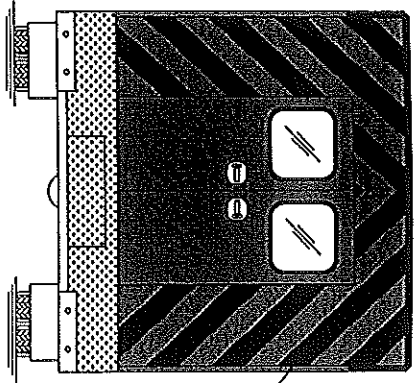




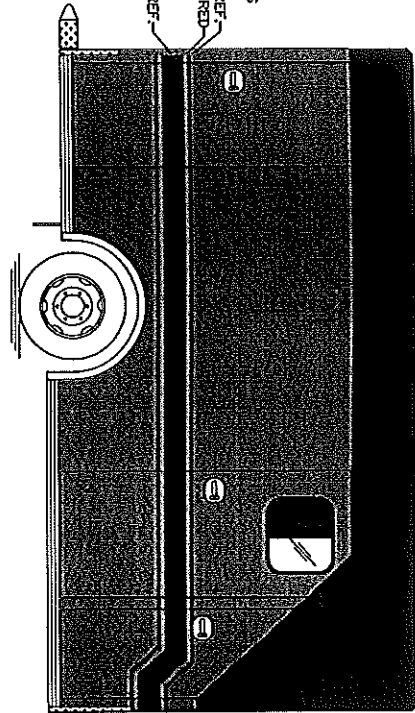
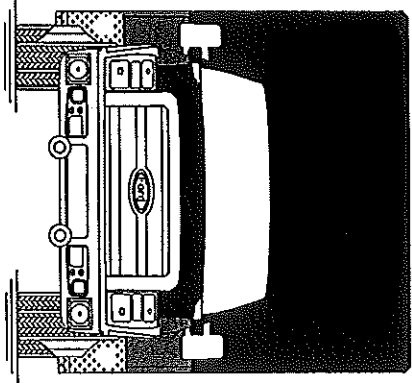
- NOTES: THIS DRAWING IS NOT TO SCALE. CHARACTERISTICS AND DIMENSIONS OF FINISHED PRODUCT MAY VARY.
- NOTES:
- 1.) COMPARTMENT DIMENSIONS REFLECT OPENING CLEARANCE.
  - 2.) APPROXIMATE COMPARTMENT DEPTH=20 1/2"DEEP.
  - 3.) MODULE DIMENSIONS=174"L x 96"W x 95"H
  - 4.) INTERIOR MODULE HEAD ROOM=74"H.
  - 5.) ALL 9x7 LIGHTS TO BE WHELEN 900 SERIES LIGHTS, CHROME FLANGES.
  - 6.) DOUBLE STAINLESS THRESHOLDS.
  - 7.) STYROFOAM INSULATION, WALL & CEILING.
  - 8.) 3M SOUND DEADENING.
  - 9.) DRY-DECK, ALL COMPARTMENTS.
  - 10.) S.S. KICKPLATES.



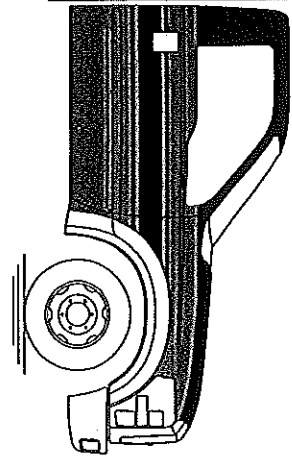
NOTES: THIS DRAWING IS NOT TO SCALE.  
 CHARACTERISTICS AND DIMENSIONS OF FINISHED  
 PRODUCT MAY VARY.



6" BLACK  
CHEVRONS  
1" BLACK REF.  
1" RED  
6" BLACK REF.



PAINT ROOF WHITE NOT  
VISIBLE FROM GROUND



NOTES:  
1.) RED PPG #917754.  
2.) BLACK PPG #9761.

